

120\*120\*38mm  
 Ya-cool  
 90 ~ 103 CFM



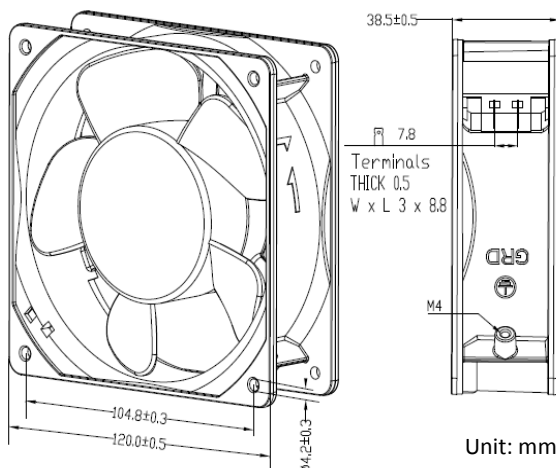
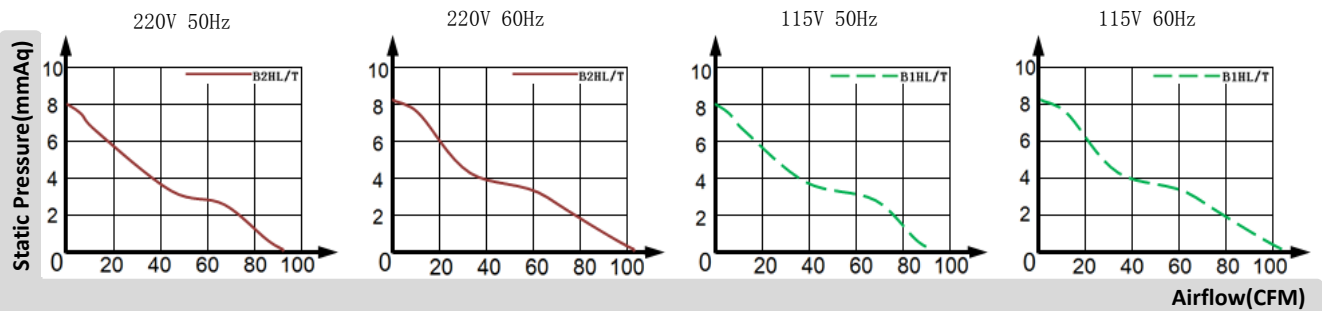
Specifications

Model	Bearing	Voltage	Frequency	Current	Power	Speed	Air Flow		Static Pressure	Noise
		VAC	Hz	A	W	RPM	CFM	m <sup>3</sup> /min	mm H <sub>2</sub> O	dB-A
12038B3HL	Ball	380	50	0.07	15	2700	90	2.55	8	45
12038B3HT	Ball	380	50	0.07	15	2700	90	2.55	8	45
12038B2HL	Ball	220-240	50/60	0.13/0.10	16/14	2700/3100	90/103	2.55/2.92	8/8.2	45/48
12038B2HT	Ball	220-240	50/60	0.13/0.10	16/14	2700/3100	90/103	2.55/2.92	8/8.2	45/48
12038B1HL	Ball	115	50/60	0.25/0.18	15/12.5	2700/3100	90/103	2.55/2.92	8/8.2	45/48
12038B1HT	Ball	115	50/60	0.25/0.18	15/12.5	2700/3100	90/103	2.55/2.92	8/8.2	45/48

All model could be customized. Please contact with YYC Sales.  
 Specifications are subject to change without notice.

Safety: UL/TUV/CE/CCC

Air Flow-Static Pressure Characteristics



- Frame: Aluminum alloy
- Impeller: PBT Plastic
- Protected: Impedance protected
- Connection: Lead Wire or Terminals
- Ball Bearing: -20 °C to +70 °C
- Sleeve Bearing: -10 °C to +70 °C
- Package: 40PCS/CTN